

# GN 52.5

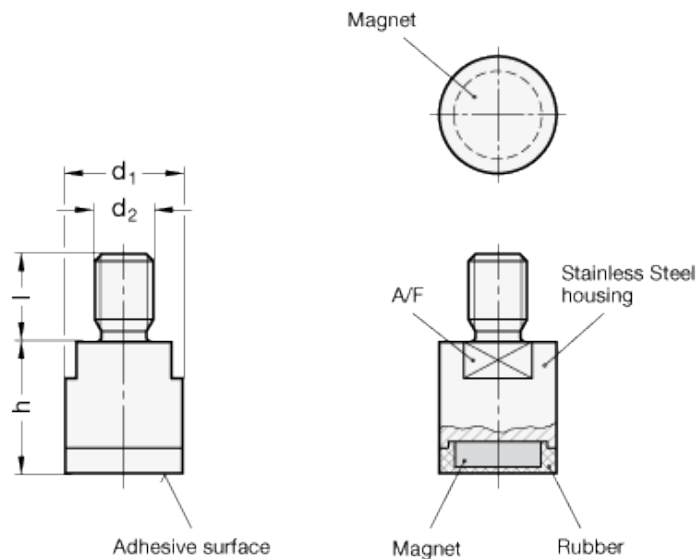
Retaining magnets



INOX  
Stainless Steel



View on adhesive surface



## technical informations

### Specification

Rod-shaped, with gummed adhesive surface.  
Housing Stainless steel.  
Rubber, Elastomer (TPE), 80 Shore A  $\approx$ , black.

### Material of the magnet

Neodymium, iron, boron NdFeB ND, temperature resistant up to 80°C.

### Features and applications

Retaining magnets GN 52.5 are a shielded magnetic system with gummed adhesive surface.

They are preferably used for sensitive surfaces. Also, the coefficient of friction is increased, with the effect that high lateral retaining forces are achieved.

Standard Elements	Main dimensions					Nominal adhesive forces in N	Weight
	Description	d <sub>1</sub>	d <sub>2</sub>	h	l		A/F
GN 52.5-ND-13-M6	13	M6	16	10	11	15	16
GN 52.5-ND-16-M8	16	M8	18	12	13	23	29
GN 52.5-ND-20-M10	20	M10	20	14	17	46	52



STANDARD MACHINE ELEMENTS WORLDWIDE